

*(Founded*



*1932)*

# **CONSTITUTION AND RULE BOOK**

***Bridge Isle  
Renfrew, PA4 9EE  
Tel 0141 889 7335***

***[www.inchinnancruisingclub.co.uk](http://www.inchinnancruisingclub.co.uk)***

**2022**

# INDEX

	Page No
Constitutional Rules of the Club	3
Section 'A' Membership	8
Section 'B' Funds, Finance, Property	12
Section 'C' Meetings	17
Section 'D' Hauling Out and Launching	21
Section 'E' Legal Requirements	30
Section 'F'	
Rules applicable to the sale of Excisable Liquor in the Club premises	34
Bye-Laws	36
Measurement Guidelines	39
Office Bearers	40
Honorary Members/Commodores	41

## **CONSTITUTIONAL RULES OF THE CLUB**

- A. The Club will be called the Inchinnan Cruising Club.
- B. The Club Burgee will be a white triangle with a dark blue surround. Only the serving Commodore will be entitled to display a conventionally sized, swallow tailed version of the normal Club Burgee.
- C. To promote a friendly relationship among members, the holding of meetings for discussion on subjects of common interest, and the regulation of all activities around Bridge Isle and on the property controlled by the Club.
- D. To encourage sailing and whatever may tend to improve the amenities of Bridge Isle and its surroundings for the benefit of the craft and other property of the members.

## Constitutional Rules of the Club (cont'd)

- E. To do such other things as are incidental or are conducive to the above objects, provided that nothing herein contained will empower the Club to be carried on as a commercial undertaking. Neither will any individual member or group of members be empowered to carry on such an undertaking within the Club premises.
  
- F. Application for Full Membership of Inchinnan Cruising Club cannot be accepted from members of other sailing, cruising or yachting clubs and Full Members of the Inchinnan Cruising Club will automatically terminate their membership on joining another sailing, cruising or yachting club.
  
- G. Craft owning members will display only the initials ICC on their craft. That is in addition to the name of their craft and any statutory markings.

## Constitutional Rules of the Club (cont'd)

- H. Any member acting in a manner detrimental to the interests of the Club and its members can only be expelled from the Club at any General Meeting, provided that two-thirds of the members present and voting are in favour of expulsion.

Alternatively, should the infringement be of a comparatively minor nature, a fine will be imposed, provided that a majority of the members present and voting are in favour of a fine. A motion to impose a fine will state the amount, and if approved by the meeting will be counted as “monies due” in terms of Rule B6.

- I. No member shall reside permanently on the Club premises longer than might be termed a normal holiday period.
- J. All funds of the Club will be deposited in a bank who will act as trustees.
- K. All legal documents will be retained by the Club lawyer.
- L. The Club books will be audited by a qualified Accountant.

## Constitutional Rules of the Club (cont'd)

- M. In the event of the Club being wound-up, any property belonging to the Club will be sold and the funds remaining will be paid over to some charity allied to the sea.
- N. The Club is not responsible for any injury to persons or property on the Club premises.
- O. The affairs of the Club will be managed by a General Committee, which will consist of a Commodore, Vice Commodore, Secretary, Treasurer, Minute Secretary (all of whom will be Full Members, except the Minute Secretary who may be an Associate Member) and six Full Members and one Associate Member.

The General Committee will have the power to co-opt additional members. The Commodore may serve for a period up to three consecutive full terms, but may serve for a further term if the Club's interests are better served by so doing. One further additional term may be served but only in exceptional circumstances. In no case may the total exceed five consecutive terms.

## Constitutional Rules of the Club (cont'd)

- P. The General Committee will be elected annually by the Full Members of the Club.
  
- Q. The decisions of the General Committee will be in all matters over which it has control, final and binding, upon all members and office bearers.
  
- R. The General Committee will have the power to elect from its members, Conveners of the sub-committees necessary for the efficient and smooth running of the Club affairs. Each appointed Convener will name at least two other members to serve with him/her. Conveners will submit periodic reports to the General Committee.

## **SECTION 'A' - MEMBERSHIP**

### **ITEM 1**

The Club will consist of Full Members, Honorary Members, Associate Members and Junior Associate Members under 18 years of age. Junior Associate Members may not apply for Full Membership.

### **ITEM 2**

Applications for Full and Associate Membership will be submitted to the Secretary on the official application form. This form must be counter-signed by a proposer and seconder, both of whom will be Full Members of the Club. At the first appropriate General Meeting following receipt of this form by the Secretary and after scrutiny by the General Committee (see Item 8), the applicant will be considered for acceptance or otherwise. All applications for membership in any of the categories will state the full names and addresses of the persons proposed as members of the Club, and will be displayed in a conspicuous place in the Club premises by the Club Secretary for at least two weeks prior to the General Meeting at which their election will be considered.



## Section 'A' - Membership (cont'd)

### ITEM 2 (cont'd)

All accepted Full Members will pay the entry fee in full and pay the proportion of/or the whole of the annual subscription due, calculated on a whole monthly basis for the remainder of the year to 30 September next and thus be admitted to the Club as a Full Member, receive a copy of the Constitution and Rule Book, and have his or her name added to the roll of members.

For the purpose of calculating the proportion of the annual subscription due by a new member, part of a month will be treated as a full month eg, for a Full Member admitted on 15 February, the proportion of annual subscription due will be 8/12<sup>ths</sup> of the annual subscription.

### ITEM 3

While Full Membership is closed, applicants will be offered Associate Membership and placed on a waiting list.

## Section 'A' - Membership (cont'd)

### ITEM 4

Applicants for Full Membership who have been Associate Members of the Club for five years or more will be considered for transfer, by application, at any General Meeting. When a transfer is made, the entry fee will be paid in full.

### ITEM 5

When a craft is jointly owned, one of the joint owners must be a Full Member and the other joint owners, Members of the Club. Any Full Member wishing to enter into formal joint ownership with his/her craft must give prior written notification to the General Committee of his/her intention to do so.

### ITEM 6

The Club at Annual General Meeting may appoint as Honorary Members of the Club, any member of the Club, or other person who has made an outstanding contribution to the welfare of the Club, or to seafaring in general. Honorary Members will not be required to pay any subscription.

## Section 'A' - Membership (cont'd)

### ITEM 6 (cont'd)

A nomination for Honorary Membership may be made in writing by the proposer and seconder who are both Full Members. The nomination should be submitted to the General Committee at least four weeks before the Nominations Meeting and should state fully the reason for the nomination.

The Committee will then put forward the proposal at the Nominations Meeting, which must be carried by a two thirds majority of Full Members voting at the Annual General Meeting. The vote on the nomination for Honorary Membership will be taken by paper ballot of all Full Members present at the Annual General Meeting.

### ITEM 7

Full Members only will have the right to propose or second an application for membership of the Club.

### ITEM 8

The Committee will investigate and report on all applications for membership, including transfer from Associate to Full and vice versa. A report by the Committee will be given at the General Meeting at which the application is to be considered.

## **SECTION 'B' – FUNDS, FINANCE & PROPERTY**

### **ITEM 1**

Entry fee to Full Membership will be as determined by members at the AGM.

### **ITEM 2**

The Annual Subscription for Full Membership will be as determined by members at the AGM.

### **ITEM 3**

Full Members on reaching 65 years of age and fully retiring from employment by 30 September will pay a reduced Annual Subscription, provided that they have been a Full Member for not less than ten years. The amount will be determined at the AGM.

Where a vessel is sold and the original owner retains a part share in the vessel i.e. joint ownership or partnership. The new owner or “joint partnership” cannot benefit from the reduced Senior Membership rate while the new “part owner” is awaiting Full Membership into the club. [Note;-This is primarily where the original owner no longer takes an active interest in the vessel.]

If the original owner is a Senior Member then the current “Full Membership” rate will apply.

This will not apply to situations where the joint ownership is immediate family related.

Any Member who enters into a joint ownership must advise the General Committee.

#### ITEM 4

Associate Members and Junior Associate Members under 18 years of age will pay Annual Subscriptions as determined by members at the AGM.

## Section 'B' – Funds, Finance & Property (cont'd)

### ITEM 5

The membership year will be from 1 October to 30 September. All Annual Subscriptions are payable in advance before 30 September in each year. Any member failing to comply will by default, have terminated his/her membership on 30 September and all property of such persons must be removed from Club premises.

### ITEM 6

All monies due by members other than Annual Subscription must be paid by 31 December in each year, but a member submitting an appeal for time to pay such monies will have his appeal considered by the General Committee. If the Committee fail to grant time to pay, the appeal will automatically go before members at the next General Meeting and the members in General Meeting will decide whether or not the defaulting member will be allowed to continue as a member of the Club. If the Committee or members grant time to pay, membership will be continued with all rights and privileges.

## Section 'B' – Funds, Finance & Property (cont'd)

### ITEM 7

Members are responsible for payment of their fees to the Treasurer within the allotted time and should not normally leave money, either cash or cheque, with other members and definitely not in the Bar area.

### ITEM 8

Payments made from Club funds by cheque will have two signatures; Treasurer and Secretary or Commodore. Any cash withdrawal from the Bank of amounts over £3,000 must have two office bearers in attendance. Receipts will be given to members for all cash payments to the Club.

### ITEM 9

The Secretary and Treasurer will each receive an Honorarium equivalent to the amount of Annual Subscription paid by a Full Member.

### ITEM 10

Proper accounts of social functions should be maintained and presented to the Treasurer within a reasonable time after the event.

## Section 'B' – Funds, Finance & Property (cont'd)

### ITEM 11

The sale of goods, burgees etc, will be recorded in a receipt book and a copy given to the member on payment.

### ITEM 12

Any member wishing to build or erect on Club premises a shed for his own use must obtain the permission of the General Committee before proceeding with the erection. The shed must not exceed in size 8' x 6' x 6'. Only one shed will be allowed per member and only Full Members will qualify for this privilege. No shed may be transferred between members without obtaining the permission of the General Committee.

### ITEM 13

Any fully paid member called to full-time service in the Armed Forces will not be expected to pay any subscription provided that his/her craft is not used in his/her absence. If the craft is used, full subscription will be paid.



## Section 'B' – Funds, Finance & Property (cont'd)

### ITEM 14

Full Members will assist with general improvements and maintenance of Club property when reasonably called upon to do so. Full Members who fail to meet annual work party requirements are liable to be fined.

### ITEM 15

Full Members who repeatedly fail to meet annual work party requirements will render themselves liable for expulsion from the Club.

### ITEM 16

The financial year will be 1 January to 31 December.

## **SECTION 'C' - MEETINGS**

### **ITEM 1**

The Annual General Meeting will be held in February. Full reports will be given by the Secretary, Treasurer, Convener of the Launching Committee and Conveners of other Sub Committees.

### **ITEM 2**

A Nominations Meeting will be held in January at which nominations for Office Bearers and Committee will be accepted from Full Members. Nominations will also be accepted from Full members at the Annual General Meeting, but only if those already made at the Nominations Meeting fall short of the constitutional requirements.

Voting if required will take place at the Annual General Meeting. In the event of a nominee withdrawing before the Annual General Meeting, nominations of a replacement will be accepted at the Annual General Meeting. Voting for the election of all Committee and Office Bearers will be by paper ballot.

## Section 'C' – Meetings (cont'd)

### ITEM 3

Statutory General Meetings will be held on the first Wednesday in the months of April, May, September and November.

### ITEM 4

Six Full Members may call an extra-ordinary General Meeting on application in writing to the Secretary or Commodore.

Such application must state fully the nature of the business to be discussed and is accompanied by a deposit of £100 which will be returned if the members present agree that the meeting was justified.

### ITEM 5

For a General Meeting, 15 Full Members will form a quorum.

### ITEM 6

For a General Committee Meeting, 5 members will form a quorum. Statutory General Committee Meetings will be held on the second last Monday in the months of January, February, March, April, May, August, September, October and November.

## Section 'C' – Meetings (cont'd)

### ITEM 7

The Chairman will have both a deliberative and casting vote.

### ITEM 8

Every motion and amendment to rules must be moved by and seconded by Full Members present at the meeting before they can be discussed. When an amendment on a particular subject is under consideration, no second amendment will be moved until the first amendment is disposed of, although notice of any further amendment may be given.

### ITEM 9

An amendment to existing rules will be adopted only at an Annual General Meeting or an Extra-Ordinary General Meeting, and only if two thirds of the members voting are in favour. Notice of amendment to rules and changes in entry fees and annual subscriptions must be made at the Nominations Meeting preceding the Annual General Meeting at which voting will take place, with the exception of motions to be made at an Extra-Ordinary General Meeting, in which case notice of motion must be contained in the circular of invitations to the meeting concerned.

## Section 'C' – Meetings (cont'd)

### ITEM 10

Only Full Members will have the power to vote at Statutory General Meetings of the Club, at Annual General Meetings and at Extra-Ordinary General Meetings. Associate Members who are elected to the General Committee will have full voting rights at all meetings while they are on the General Committee.

### ITEM 11

To facilitate the efficient functioning of the Club, Club premises and gear, it may be necessary or desirable to introduce bye-laws to provide for circumstances not covered by the Rule Book. Such bye-laws may be introduced, amended or deleted at any General Meeting by the members on a simple majority vote being obtained.

## **SECTION 'D' – HAULING OUT, LAUNCHING & CLUB EVENTS**

### **ITEM 1**

Hauling out and launching of craft will be under the direction of the General Committee and the sub-committee appointed for that purpose.

### **ITEM 2**

The Launching Convener will be appointed annually by the Committee at the first Committee Meeting after the AGM. The Launching Convener will be responsible for co-ordinating launching and haul-outs during the normal haul out and launch periods. The Launching Convener may submit up to 6 named Full Members as deputies from which the General Committee will choose 2 members to serve as deputies.

### **ITEM 3**

The General Committee will be responsible for the movement of vessels within the Club premises and will control the use of Club gear necessary for such movement.

## Section 'D' – Hauling Out, Launching & Club Events (cont'd)

### ITEM 4

The normal launching period will be from 1<sup>st</sup> of April to 31<sup>st</sup> of May and during this period it will be co-ordinated by the Launching Convener and requests can also be submitted in writing to the General Committee.

Any launching outwith the normal period must be put in writing and have approval from the General Committee.

### ITEM 5

Launch sheets and the approved hoist operators' list provided by the Launching Convener will be posted in the Clubhouse prior to the normal launch period and each member should fill in an appropriate date and nominate an approved driver; these arrangements require to be agreed with the Launching Convener.

### ITEM 6

Any Member failing to have his/her craft ready for their nominated launch date must notify the Launching Convener and Secretary immediately, giving reasons for the delay.

## Section 'D' – Hauling Out, Launching & Club Events (cont'd)

### ITEM 7

The normal haul out period will be from the 1<sup>st</sup> of September to the 31<sup>st</sup> of October

Members may enter their names on the hauling out list which will be posted in the Clubhouse by the Launching Convener prior to the 1<sup>st</sup> of September. Any haul out request outwith the normal haul out period must be made in writing to the General Committee.

Members must bring their craft to the Club on the date specified on the haul out list, unless unable to do so owing to adverse weather conditions, or other unforeseen circumstances, when consideration will be given to changing the date.

In the event of illness or any other justifiable reason, a written explanation should be sent to the Secretary, when special arrangements may be made.

Full Members who are not craft owners will, on acquiring a craft, be given special consideration on making a written application to the Secretary.



## Section 'D' – Hauling Out, Launching & Club Events (cont'd)

### ITEM 8

No craft will be allowed on the Club premises until the owner's subscription is paid in full and Full Members will only be allowed one craft berthed on the Club premises. The General Committee will have power to give consideration in individual cases.

### ITEM 9

Where practical, members must remove their craft from the bogie and hoist immediately on hauling out so as to leave the bogie and hoist clear for any emergency. If this cannot be done, it must be reported to the Launching Convener or members of the General Committee.

### ITEM 10

No craft exceeding 38 feet in length will be hauled out. Craft over 36 feet but not exceeding 38 feet in length will only be hauled out provided the General Committee are of the opinion that the craft has sufficiently high overhangs at the bow and stern so as not to impede pedestrian traffic. The General Committee reserve the right to refuse to haul out any craft which in their opinion cannot be handled with the Club gear.

## Section 'D' – Hauling Out, Launching & Club Events (cont'd)

### ITEM 10 (cont'd)

For the purposes of measuring the length of craft, guidelines for measuring craft for the Small Ships Register as applying in 1985 will be adhered to (See Page No 39).

### ITEM 11

Haul out of craft may be arranged during the months of April to September by written application to the General Committee. Applications should state the proposed date of the expected haul out and the period during which the craft is expected to remain on the Island, but a Committee decision on such timing will be final.

Labour must be provided by the owner of the craft and each haul out must be under the supervision of a responsible person appointed by the Launching Convener. Owners of craft which are hauled out on a temporary basis must be willing to move or launch their craft at the reasonable request of the Launching Convener, should circumstances warrant such action.

## Section 'D' – Hauling Out, Launching & Club Events (cont'd)

### ITEM 12

Notwithstanding Item 11, in a case of emergency a craft may be hauled out by arrangement with the Committee.

### ITEM 13

When launching or hauling out craft, no children under 14 years of age will be allowed on the craft and the maximum crew will be three. No persons will be allowed on the craft whilst it is being moved by the hoist or crane. All keel craft must have a suitably strong and safe cradle.

### ITEM 14

The proposer and/or seconder of a new member must be present at the first hauling out of the proposed new member's craft. If neither is present, both proposer and seconder will be asked for an explanation by the General Committee and may be fined up to £25 each.

### ITEM 15

A member who wishes to build a craft or fit out from hull and deck, should first obtain permission of the General Committee before starting the project and indicate the estimated time to launching.

## Section 'D' – Hauling Out, Launching & Club Events (cont'd)



### ITEM 16

A member selling or disposing of craft berthed on Club premises to a non-member will be held responsible for ensuring that such craft is launched or cleared from Club premises as soon as possible.

Craft disposed of during the sailing season must be launched prior to the commencement of the next main haul out, while craft disposed of during the winter period must be launched during the next launching period.

Members disposing of a craft on Club premises will not be entitled to have another craft hauled out until the afore-mentioned craft has been launched.

On all 'Item 16' issues the General Committee will have power to give consideration in individual cases.

## Section 'D' – Hauling Out, Launching & Club Events (cont'd)

### ITEM 17

Members may make use of private trailers to transport or berth craft on the Island, provided such movement or berthing has the express consent of the General Committee in regard to safety, timing and the availability of space.

Members who make use of such private trailers will be subject to all the rules and regulations pertaining to the movement and berthing of craft on the Island, and will be deemed to have absolved the Club from any claim, loss, damage or injury arising from such movement.

No craft will be brought onto or leave Club premises at times other than those covered by the normal launching or haul out arrangements, without the prior consent of the General Committee.

This rule does not apply to dinghies, or small craft normally regarded as tenders, and for the purpose of definition, craft under 12 feet in length will therefore be excluded. A General Committee ruling will be final in the case of exceptional circumstances.

## Section 'D' – Hauling Out, Launching & Club Events (cont'd)

### ITEM 18

#### The 4 Year Rule

All members (including those who are in receipt of an Honorarium, e.g. Treasurer / Secretary) who **DO NOT** launch their vessel for a minimum period of 3 months during the normal launch period (April to Sept.) for **4 Consecutive Years** will be subject to the 4 Year Rule.

Vessels which become subject to the 4 year Rule will require the owner to pay an extra fee which will be 50% of the current “Normal Full” Annual Membership. This fee is in addition to their normal membership fee and is payable by the 30<sup>th</sup> September every year until the vessel is launched.

No vessel will be granted an exception from the 4 year rule going forward.

Certain owners of vessels prior to Feb. 2018 are exempt from the 4 year rule; this may be subject to review in future.

### ITEM 19

Mechanical plant will only be operated by members authorised by the General Committee.

Members are expected to offer themselves for tuition to become authorised plant operators.

## ITEM 20

The Club reserves the right to launch any craft whose owner's membership has ceased. The Club will not be liable for any damage that may be sustained by such craft, either during the operation of launching or after the craft has been launched, from whatever cause arising.

## **SECTION 'E' – LEGAL REQUIREMENTS**

### **ITEM 1**

Members of the Club, their guests and visitors, may use the Club premises and any other facilities of the Club, entirely at their own risk and impliedly accept that:

- 1           The Club will not accept any liability for any damage to or loss of property belonging to members, their guests or visitors to the Club.
  
- 2           The Club will not accept any liability for personal injury arising out of the use of the Club premises and any other facilities of the Club or out of participation in any event organised by the Club, whether sustained by members, their guests or visitors, or caused by the said members, guests or visitors, whether or not such damage or injury could have been attributed to or was occasioned by the neglect, default or negligence of any of the officers, committee or servants of the Club.



## Section 'E' – Legal Requirements (cont'd)

- 3 Before inviting any guests or visitors onto the premises or to participate in events organised by the Club, members will draw their attention to this rule.

### ITEM 2

Club events ashore or afloat, including Club Cruises, social functions, haul out, launching, movement of craft, handling of craft gear including cradles and spars.

- 1 Event organisers shall not be liable for any loss, damage, death or personal injury howsoever caused to the member, his skipper or crew, as a result of their taking part in the event. Moreover, every member warrants the suitability of his craft for the event.
- 2 Event participants accept that they are responsible for themselves, their crew and their crafts, whether afloat or ashore.

## Section 'E' – Legal Requirements (cont'd)

- 3 Nothing done by the organisers (i.e. the Club Committee and anyone helping to run the event) will relieve participants of their responsibilities.
  
- 4 Any member who hauls out, launches and (or) stores their boat on club grounds must have a minimum of 3<sup>rd</sup> party insurance cover for their vessel.

Members are required annually to provide a valid Certificate of Insurance for their vessel berthed at the club. This is required to be submitted along with your annual membership renewal form each September.

The updated membership form ensures that all your contact details including current Address, Boat Name, E-mail and phone numbers are current and correct.

Failure to provide a valid insurance certificate could result in the member being asked to remove their boat from the club.

- 5 By launching (or putting to sea), participants imply the suitability of their craft and the competence of the skipper and crew for the expected or forecast conditions.
- 6 The safety of a craft and its entire management including insurance shall be the sole responsibility of the owner/member who must ensure that the craft is fully found, thoroughly sea-worthy and manned by a crew, sufficient in number and experience who are physically fit to face bad weather.

## Section 'E' – Legal Requirements (cont'd)

7

The owner/member must be satisfied as to the soundness of the hull, spars, rigging, sails engine and all gear. He/she should ensure that all safety equipment is properly maintained, stowed and in date and that the crew know where it is kept and how it is to be used.

### ITEM 3

Parents and guardians have sole responsibility for their children/wards and must appreciate that the Club cannot be expected to exercise supervision or control. Even during Club events, the Club cannot accept responsibility for children. It is the responsibility of the parents or guardians to ensure the good behaviour and safety of their children.

### ITEM 4

Parents and guardians have to be aware of the very real dangers of the river and gear at the Club premises and should ensure their children stay well clear of the banks and any moving machinery. Children are advised to wear lifejackets when on the water, particularly in dinghies.

## **SECTION 'F'- Sale of Excisable Liquor**

### **ITEM 1**

Neither the Commodore, Vice Commodore, Secretary, Treasurer, Minute Secretary, nor any member of the General Committee, nor any caretaker, or other employee of the Club, will have any personal interest in the sale of Excisable Liquor upon the Club premises nor in the profits arising from such sale.

### **ITEM 2**

The General Committee will be responsible for ensuring that no sale of Excisable Liquor will take place upon Club premises except during the permitted hours specified in the Licensing (Scotland) Acts 1959 and 1962, and any statutory amendment thereafter.

### **ITEM 3**

No Excisable Liquor will be sold or supplied to any person under 18 years of age, and no visitors will be supplied with Excisable Liquor unless on the invitation of and in the company of a Full Member or Associate Member who is over 18 years of age, who will upon the admissions of such visitors to the Club premises enter his or her own name and the name and address of the

## Section 'F' - Sale Of Excisable Liquor (cont'd)

### ITEM 3 (cont'd)

visitor in the visitor's book which will be kept for this purpose in the Club Room and in addition, the date of each visit will be shown.

### ITEM 4

No Excisable Liquor will be sold or supplied in the Club premises for consumption off the premises except to a member of the Club in person, for consumption by him/her.

### ITEM 5

Proper account books relating to the sale of Excisable Liquor will be kept and a financial report on this will be given at each Annual General Meeting.

## **Bye-Laws**

1. Members will keep berths tidy after their craft has been launched and no equipment should be stored outwith this berth area.
2. Craft will be tied to the bogie when being hauled out and launched.
3. The bogie will be left on the slipway to be ready in an emergency.
4. When notice of a function is given, the Clubhouse will not be available for any other purpose. The function organiser must ensure that the area used is left in a clean and tidy condition.
5. Members' gear will not be stored in the Clubhouse.
6. Members will assist in maintenance when required.
7. All huts erected on Club premises after April 1983 will conform to the approved designs and external surfaces of all huts will be painted in a colour acceptable to the Club.

## Bye-Laws (cont'd)

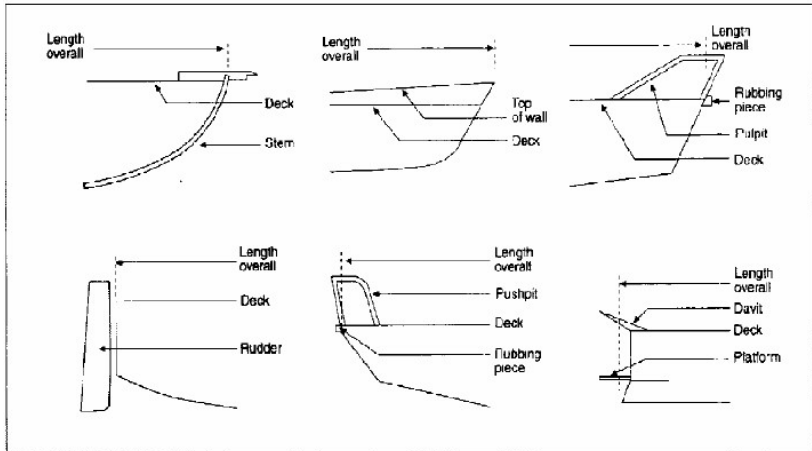
8. Access gates to the Club will be locked at all times unless by special arrangement.
9. Persons wearing soiled or wet clothing will not use bar furniture.
10. Every craft must carry a minimum of 2 x 1 kg dry powder fire extinguishers or equivalent.
11. Associate Members, non-members and any persons whose names are on the waiting list for membership may not keep their craft or any other property, including craft's tender, on Club premises or on the foreshore adjoining Club premises. Members should not lend moorings to non-Full Members.
12. Members should register the name of their craft on the Club's records, and that will be the only craft the member will be allowed on Club premises.



## Bye-Laws (cont'd)

13. In the interest of a clean environment, members are responsible for the removal of all their rubbish, waste materials and pollutants from the Club premises and the maintenance of a clean environment.
  
14. In the interest of hygiene and safety, dogs are prohibited on Club premises. Members taking their dogs onto their craft may do so provided that the dog is kept on a lead and under control.

# Guidelines for Measuring Craft for the Small Ships Register



## **OFFICE BEARERS 2022**

Commodore: Denize Hunter

Vice Commodore: Anthony Cameron

Secretary: Cameron Johnstone

Treasurer: Allan Marsh

Committee Members:

Gordon Cameron

Gordon Hill

Richard Smith

Eric Smith

Graham Langmuir

Tosh McGroarty

Kerry Hill

## **HONORARY FULL MEMBERS FROM 1950**

H Nicol	F Murphy
O Houston	JC Rennie
I McLaughlin	W Burton
F Hoyle	J Donaldson
M Hoyle	RK Steele
JEA Rennie	D McColl
A Stevenson (Hon Associate)	R Currie

## **COMMODORES FROM 1932**

1933- 1935	J Carmichael
1935- 1936	T Sinclair
1936- 1937	J McKay
1937- 1938	J Carmichael
1938- 1939	H Brown
1939- 1941	S Brown
1941- 1942	E Buchanan
1942- 1947	D Fletcher
1947- 1948	H Nicol
1948- 1949	T Sinclair
1949- 1961	H Nicol
1961- 1964	G Thomson
1964- 1966	G Anderson
1966- 1968	H Lindsay
1968- 1969	G Thomson
1969- 1972	W Amos
1972- 1983	F Hoyle
1983- 1990	JC Donaldson

1990- 1995	J Hoyle
1995- 2008	D McColl
2008- 2009	J Pass
2009- 2011	T Elder
2011- 2013	M Tucker
2013- 2017	R Tunncliffe
2017- 2020	C Johnstone
2020-	D Hunter